



- Sealed IP65
- Snap-in Mounting
- Domed/ Flat/ High Flat Front
- Polycarbonate
- 1,000,000 cycles momentary



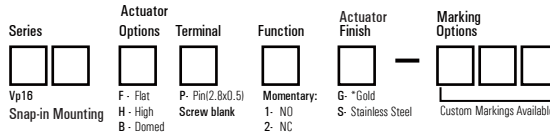
Vp16-B-1-S



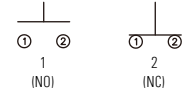
Vp16-F-2-S

Momentary: Means that when you push switch and then move your finger, the actuator will back to the original position.

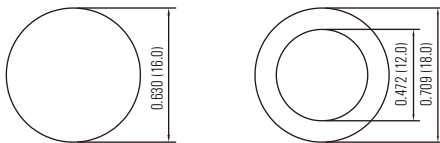
Order Code



Function

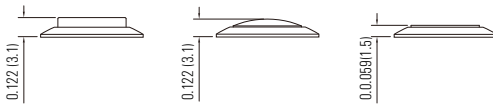


Suggested Panel Cutout



Max. Panel Thickness: 0.039 (1mm)

Actuator Options

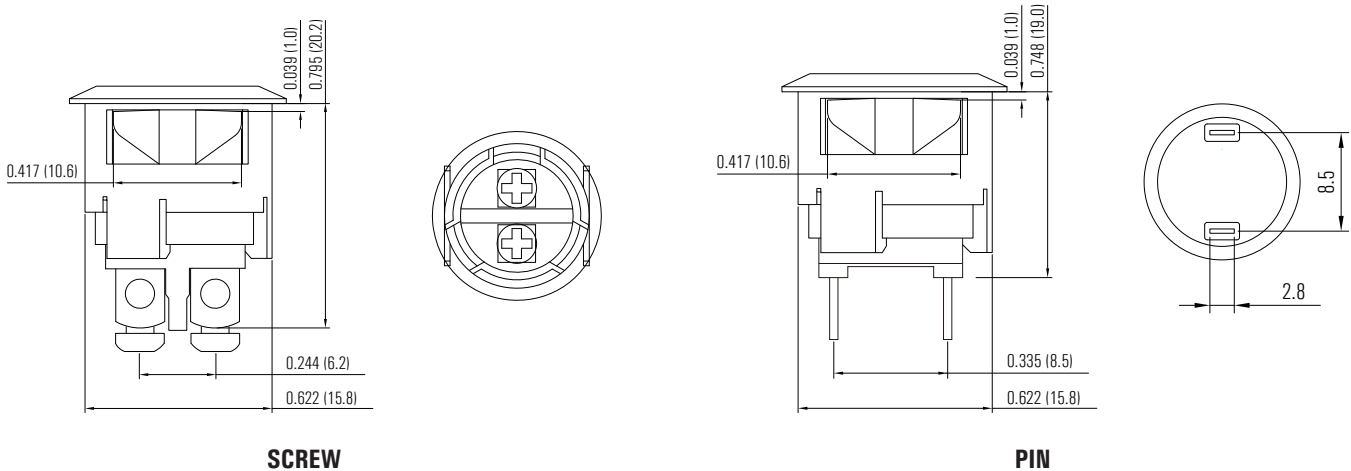


Technical Data

Type	Vp16-F	Vp16-B	Vp16-H
Front Shape	Flat	Domed	High Flat
Terminal	Screw/ Pin(2.8X0.5)		
Max. Switch Rating	2A 48VDC		
Contact Resistance	≤ 50mΩ		
Insulation Resistance	≥ 1000mΩ		
Dielectric Strength	2000VAC		
Operation Temp.	-20 C ~ +55 C		
Mechanical Life	1,000,000cycles		
Electrical Life	200,000cycles		
Contact Material	Silver Alloy		
Torque	5 ~ 14Nm		
Operation Pressure	5.5N		
Protection	IP65		
Material			
Actuator	Stainless Steel/ *Gold plated Brass		
Body	Polycarbonate		
Base	PBT		

*Actuator can be customized.

Dimension



SCREW

PIN